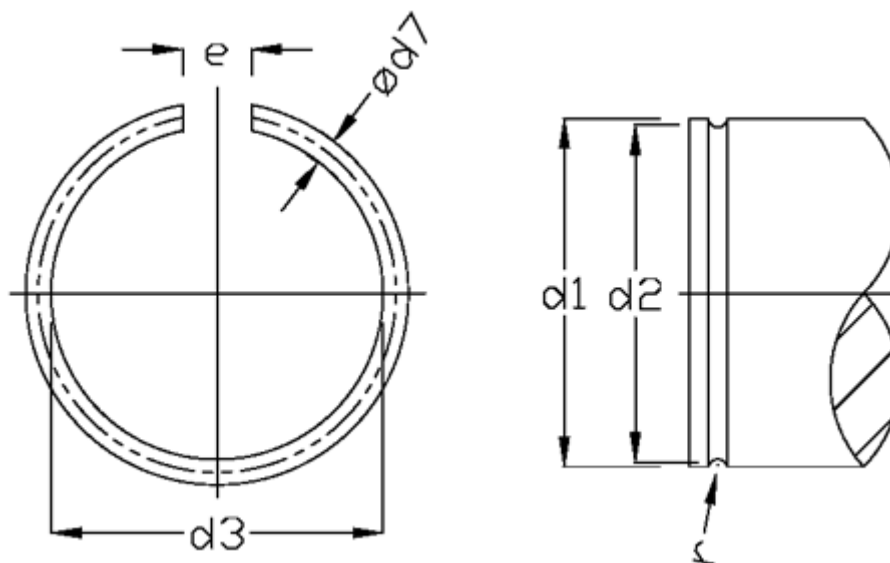


Article number: 0128067

Description: Circlip RW 50 DIN 7993

## Measures



|              |         |                |         |
|--------------|---------|----------------|---------|
| d1           | = 50    | tol            | = 0.10  |
| d2           | = 47.5  | tol            | = -0.8  |
| d3           | = 47.0  | Weight kg/1000 | = 5.830 |
| d7           | = 2.5   |                |         |
| Description  | = RW 50 |                |         |
| e            | = 4     |                |         |
| n abl x 1000 | = 4     |                |         |
| r            | = 1.4   |                |         |